



US625ST

Dynamic N/C Handset

- Press to talk
- 5-foot, 5-conductor coiled cord with bare-wire termination
- Black high impact plastic case
- Noise-cancelling transmitter

Description

The Model US625ST is a noise-cancelling handset microphone, designed for high articulation speech transmission under high ambient noise conditions. The Model US625ST is the result of continuous study of the needs of the communications industry and it uniquely meets the specialized requirements of two-way radio and industrial applications. This handset employs a noise-cancelling microphone utilizing two sound entrances for reduction of interfering ambient noise. The US625ST is unexcelled at discriminating between near and distant sound for maximum ambient noise rejection. The US625ST provides extremely reliable, crisp, clear speech reproduction with high sensitivity and low distortion.

Architects' and Engineers' Specifications

The model US625ST shall be a dynamic noise-cancelling handset.

The microphone (transmitter) shall be a noise-cancelling dynamic type with a uniform frequency response from 50 to 7000 Hz. The diaphragm shall be of non-metallic Acoustalloy®. The microphone impedance shall be specified 150 ohms. Output level

shall be -60 dB with 0 dB equaling 1 mW/10 dynes/cm². Dimensions shall be 211.1 mm (8.93 in.) long, 60.33 mm (2.37 in.) wide and 66.7 mm (2.62 in.) high. The case shall be molded of black high impact Cyclocac. A 5-conductor coil cord with an extension length of 1.5 meters (5 ft.), shall be included. An integral press-to-talk switch (non-short-circuiting type) with relay connection shall be provided.

Receiver shall be a magnetic type with a specified 150 ohms impedance.

The Electro-Voice Model US625ST is specified.

Limited Warranty

Electro-Voice products are guaranteed against malfunction due to defects in materials or workmanship for a specified period, as noted in the individual product-line statement(s) below, or in the individual product data sheet or owner's manual, beginning with the date of original purchase. If such malfunction occurs during the specified period, the product will be repaired or replaced (at our option) without charge. The product will be returned to the customer prepaid. **Exclusions and Limitations:** The Limited Warranty does not apply to: (a) exterior fin-

ish or appearance; (b) certain specific items described in the individual product-line statement(s) below, or in the individual product data sheet or owner's manual; (c) malfunction resulting from use or operation of the product other than as specified in the product data sheet or owner's manual; (d) malfunction resulting from misuse or abuse of the product; or (e) malfunction occurring at any time after repairs have been made to the product by anyone other than Electro-Voice Service or any of its authorized service representatives. **Obtaining Warranty Service:** To obtain warranty service, a customer must deliver the product, prepaid, to Electro-Voice Service or any of its authorized service representatives together with proof of purchase of the product in the form of a bill of sale or receipted invoice. A list of authorized service representatives is available from Electro-Voice Service at 600 Cecil Street, Buchanan, MI 49107 (800/234-6831 or FAX 616/695-4743). **Incidental and Consequential Damages Excluded:** Product repair or replacement and return to the customer are the only remedies provided to the customer. Electro-Voice shall not be liable for any incidental or consequential damages including, without limitation, injury to persons or property or loss of use. Some

US625ST Dynamic N/C Handset

states do not allow the exclusion or limitation of incidental or consequential damages so the above limitation or exclusion may not apply to you. **Other Rights:** This warranty gives you specific legal rights, and you may also have other rights which vary from state to state.

Electro-Voice Speakers and Speaker Systems are guaranteed against malfunction due to defects in materials or workmanship for a period of five (5) years from the date of original purchase. The Limited Warranty does not apply to burned voice coils or malfunctions

such as cone and/or coil damage resulting from improperly designed enclosures. Electro-Voice active electronics associated with the speaker systems are guaranteed for three (3) years from the date of original purchase. Additional details are included in the Uniform Limited Warranty statement.

Electro-Voice Electronics are guaranteed against malfunction due to defects in materials or workmanship for a period of three (3) years from the date of original purchase. Additional details are included in the Uniform Limited Warranty statement.

For warranty repair, service information a listing of the repair facilities nearest you contact the service repair department at: (609) 695-6831 or 800/685-2606.

For technical assistance, contact Techni Support at 800/234-6831 or 616/695-6831 M-F, 8:00 a.m. to 5:00 p.m. Eastern Standard time.

Specifications subject to change without notice.

Figure 1—Frequency Response

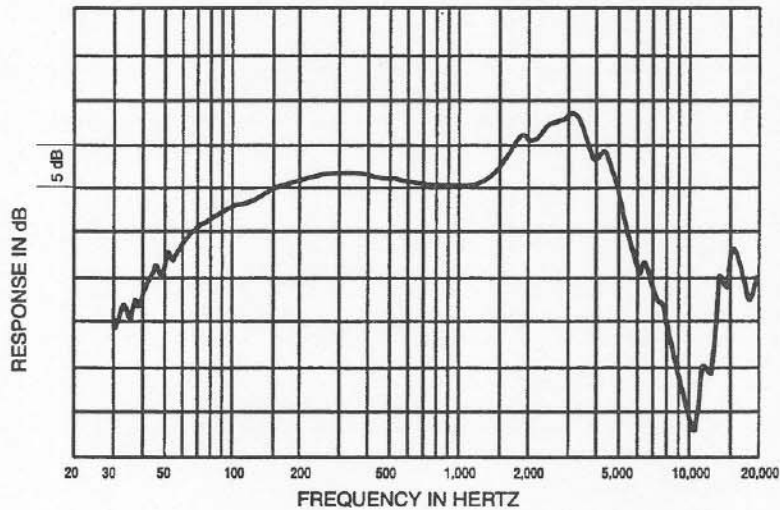
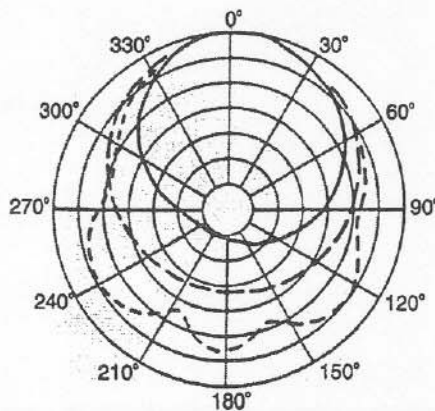
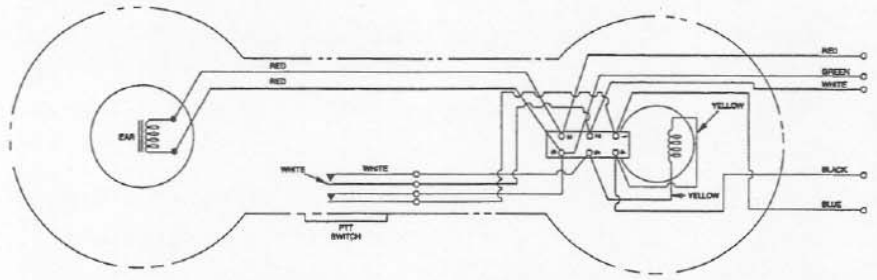


Figure 2—Polar Response



US625ST Dynamic N/C Handset

Figure 3—Wiring Diagram



US625ST Dynamic N/C Handset

US625ST Dynamic N/C Handset

US625ST Dynamic N/C Handset

Specifications

Element,

Microphone:

Dynamic

Receiver:

Magnetic

Frequency Response, Microphone:

50-7000 Hz

Polar Pattern:

Noise cancelling

Microphone Output Level:

-60 dB (0 dB = 1 mW/10 dyne/cm²)

Impedance,

Microphone:

150 ohms

Receiver:

150 ohms

Case Material:

High impact Cycolac

Finish:

Black

Dimensions,

Length:

211.1 mm (8.93 in.)

Width:

60.3 mm (2.37 in.)

Height:

66.7 mm (2.62 in.)

Net Weight:

397 g (14 oz)

Cable:

5-conductor coiled cord, 5' extended

Connector:

None supplied

Switch:

Press to talk (non-shorting type)
and relay switch

Temperature Range:

-40 °C (-40 °F)
to +70° (+158 °F)

Electro-Voice®

600 Cecil Street, Buchanan, MI 49107

616/695-6831, 616/695-1304 Fax